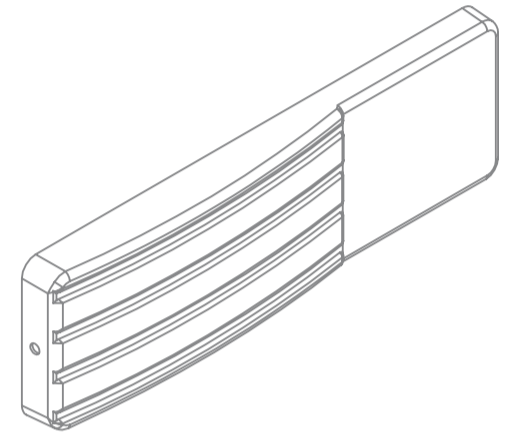


# GSM

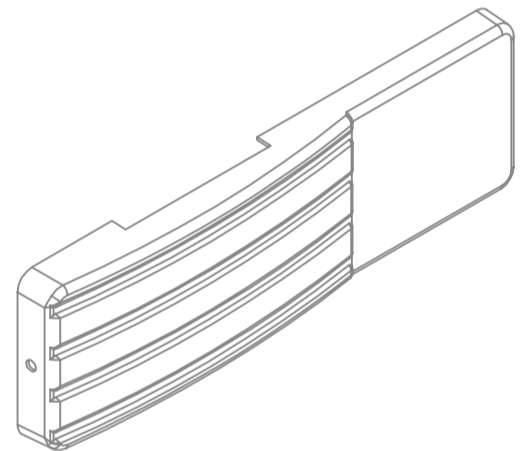
  
Casma  
Genuine  
European  
Manufacturers



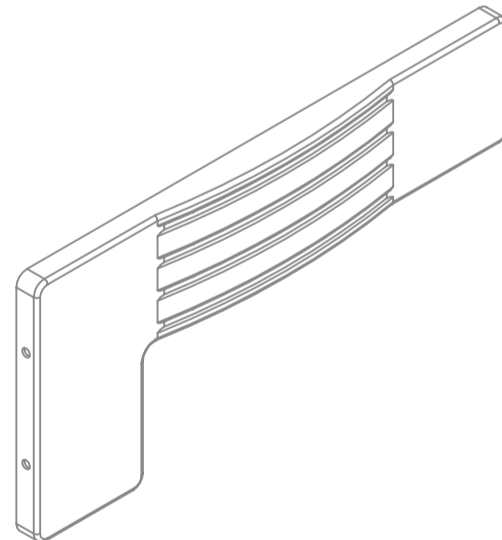
mod. 41090

GSM top designed finishing covers are designed by Giugiaro, they can be fitted on the same bodies of the patch fittings series 10000-40000 Spidall.

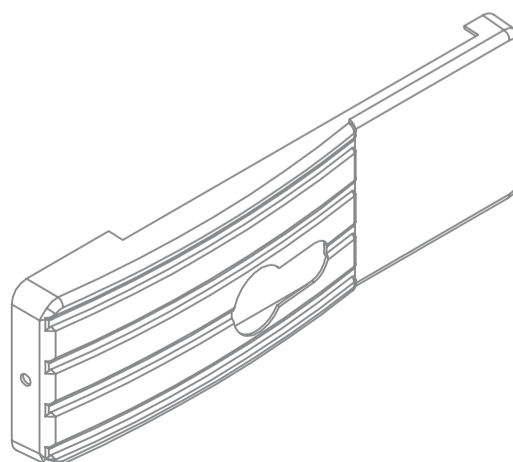
Finishes available  
810



mod. 41890



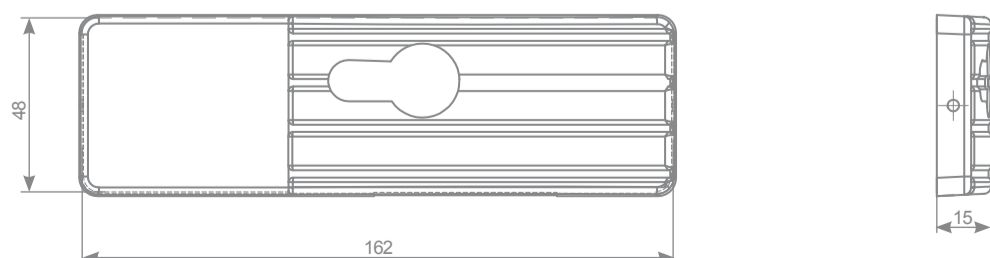
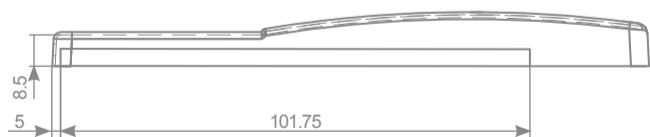
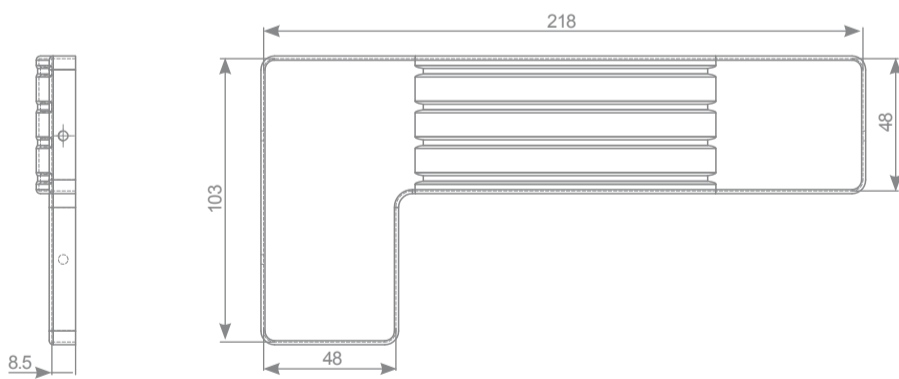
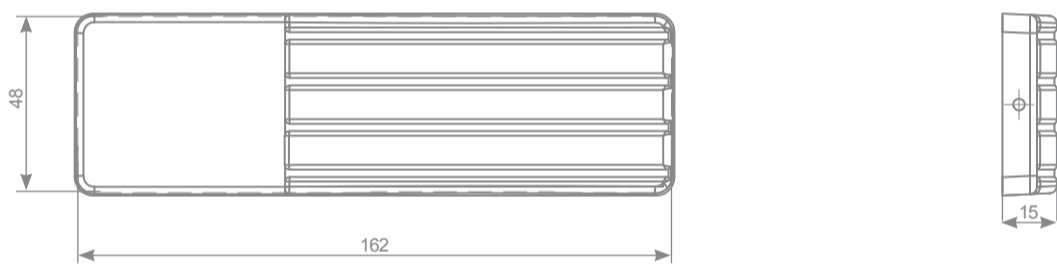
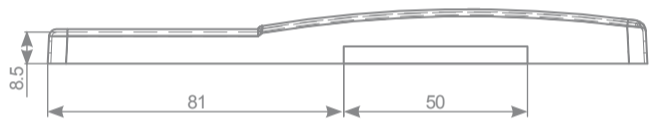
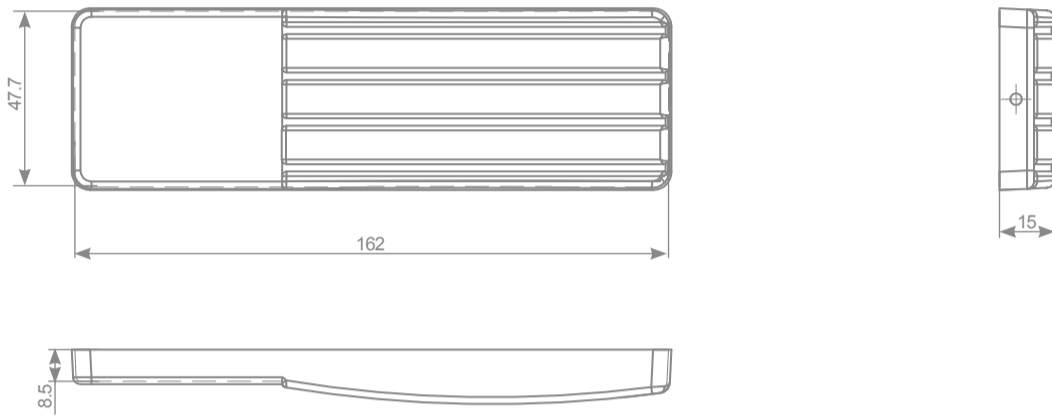
mod. 44890



mod. 48790





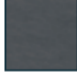
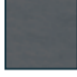



  
MASCA

# GSM



### Finishes

#### Aluminium

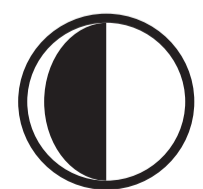
-  611
-  612
-  613
-  614
-  615
-  620
-  633
-  680
-  RAL 9010

#### Brass

-  710
-  711
-  712
-  713

#### Stainless steel

-  810
-  812



MASCA